

# Technical data sheet



## Product features

### Pizza oven 2 chambers

<b>Model</b>	<b>SAP Code</b>	00009994
--------------	-----------------	----------



- Pizza capacity [cm]: 2x 50 cm
- Stoneplates: Lower
- Stone plates thickness [mm]: 14
- Material: Stainless steel
- Control type: Mechanical
- Type of handle: Short, plastic
- Steam protection: Yes
- Independent heating zones: Separate control for each chamber
- Chimney for moisture extraction: Yes
- Adjustable chimney: Yes
- Interior lighting: Yes

<b>SAP Code</b>	00009994	<b>Minimum device temperature [°C]</b>	50
<b>Net Width [mm]</b>	836	<b>Maximum device temperature [°C]</b>	450
<b>Net Depth [mm]</b>	733	<b>Width of internal part [mm]</b>	550
<b>Net Height [mm]</b>	763	<b>Depth of internal part [mm]</b>	550
<b>Net Weight [kg]</b>	79.00	<b>Height of internal part [mm]</b>	150
<b>Power electric [kW]</b>	8.000	<b>Pizza capacity [cm]</b>	2x 50 cm
<b>Loading</b>	400 V / 3N - 50 Hz		

# Technical data sheet



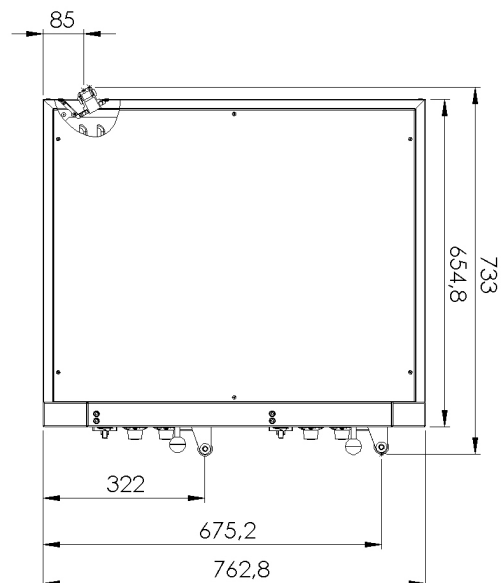
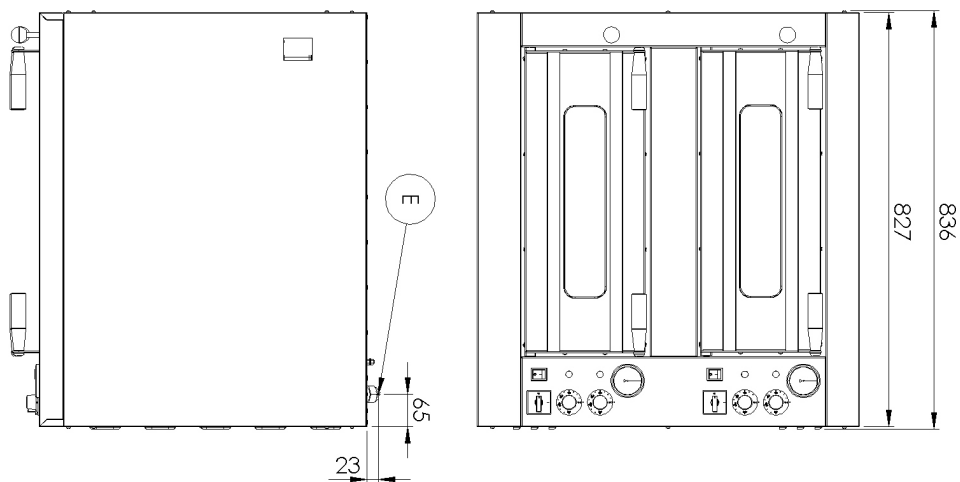
Technical drawing

Pizza oven 2 chambers

Model

SAP Code

00009994



### Pizza oven 2 chambers

Model

SAP Code

00009994

1

#### Manual controls - Set values using rotary knobs

clear and simple user-friendly temperature settings

- quick and easy for the user to operate, no training required for operation long service life

2

#### Chamber heating in the temperature range of 50 to 450°C

the temperature range enables the preparation of various types of dough and meat; can also be used for baking

- we have a crispy pizza in a short time - I can make a pizza according to the dough, the customer does not wait long and the operator serves multiple customers - multiple turns in one oven

3

#### The device is powered from a regular 230v network

the device can be connected anywhere, in case of sufficient securing

- no need for sufficient costs if I do not have a 400V supply

4

#### Glass set in the door

checking the product during heat treatment without having to open the door

- I don't lose temperature when baking by unnecessarily opening the door without glass, saving energy

5

#### 2x thermostat, separate control of upper and lower heaters

more precise regulation of heat in the chamber, according to the type of dough or food

- better final quality of the product; no burning, variability - suitable for different treatments, better comfort for the experienced cook, suitable for professionals

6

#### Analog thermometer measuring the temperature in the chamber

certainty of the set temperature, I will check whether it is set correctly and that the device works correctly for me

- I am aware of and can react to deviations from the required temperatures

# Technical data sheet



## Technical parameters

### Pizza oven 2 chambers

**Model**

**SAP Code**

00009994

**1. SAP Code:**

00009994

**2. Net Width [mm]:**

836

**3. Net Depth [mm]:**

733

**4. Net Height [mm]:**

763

**5. Net Weight [kg]:**

79.00

**6. Gross Width [mm]:**

890

**7. Gross depth [mm]:**

780

**8. Gross Height [mm]:**

903

**9. Gross Weight [kg]:**

87.00

**10. Material:**

Stainless steel

**11. Device type:**

Electric unit

**12. Power electric [kW]:**

8.000

**13. Loading:**

400 V / 3N - 50 Hz

**14. Control type:**

Mechanical

**15. Width of internal part [mm]:**

550

**16. Depth of internal part [mm]:**

550

**17. Height of internal part [mm]:**

150

**18. Minimum device temperature [°C]:**

50

**19. Maximum device temperature [°C]:**

450

**20. Pizza capacity [cm]:**

2x 50 cm

**21. Thermometer:**

Analog

**22. Indicators:**

operation

**23. Number of internal parts:**

2

**24. On/Off button:**

Yes

**25. Type of handle:**

Short, plastic

**26. Steam protection:**

Yes

**27. Protection of controls:**

IPX4

**28. Stoneplates:**

Lower

# Technical data sheet



Technical parameters

## Pizza oven 2 chambers

Model

SAP Code

00009994

### 29. Stone plates thickness [mm]:

14

### 33. Number of cavities:

2

### 30. Independent heating zones:

Separate control for each chamber

### 34. Chimney for moisture extraction:

Yes

### 31. Interior lighting:

Yes

### 35. Adjustable chimney:

Yes

### 32. Safety element:

safety thermostat

### 36. Cross-section of conductors CU [mm<sup>2</sup>]:

1,5

- Výkon (kW): 5-5,7 (230 V); 8,7-9,8 (400 V)